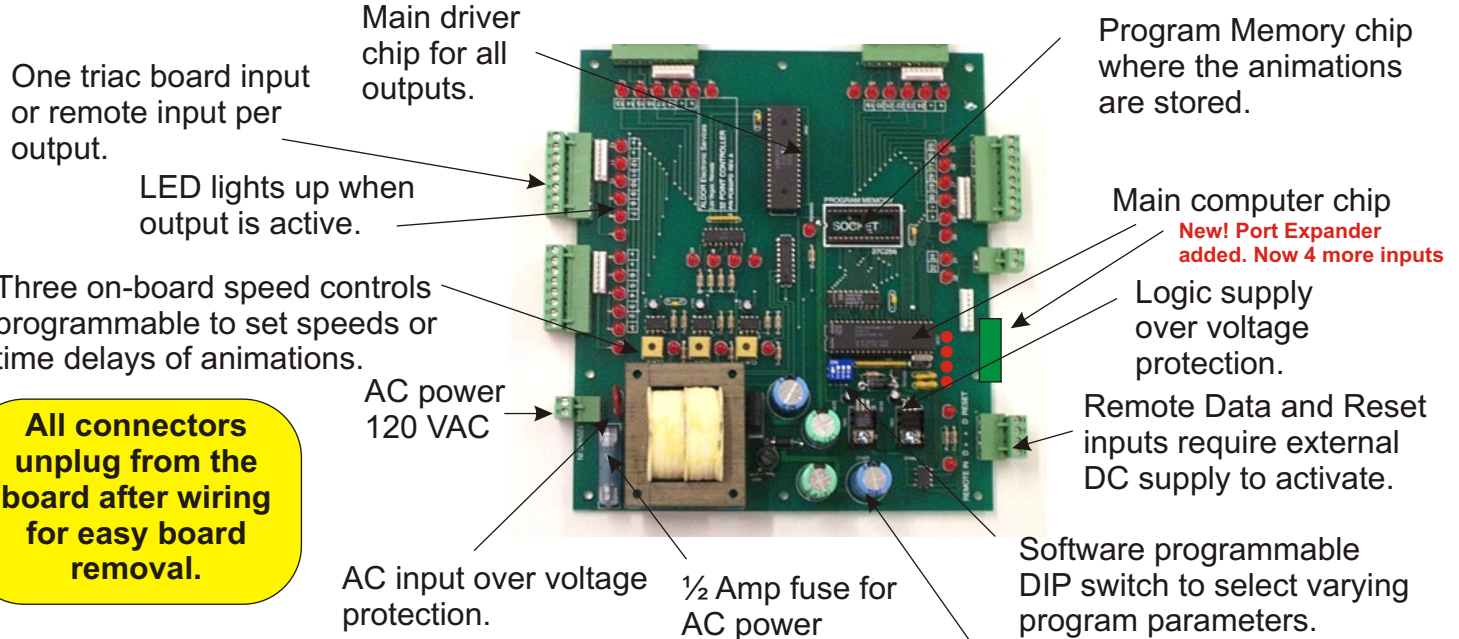


Data Sheet: PCB32PD



32 point Controller Board

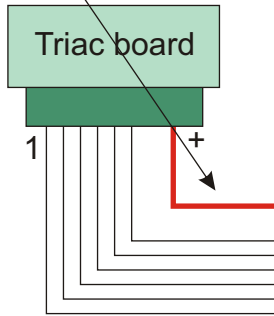
2961 Industrial Rd., #212, Las Vegas, Nevada 89109
Ph: 702-631-3400 / cell: 702-271-1859
Email: aldor@coam.net / Web: www.aldor.net



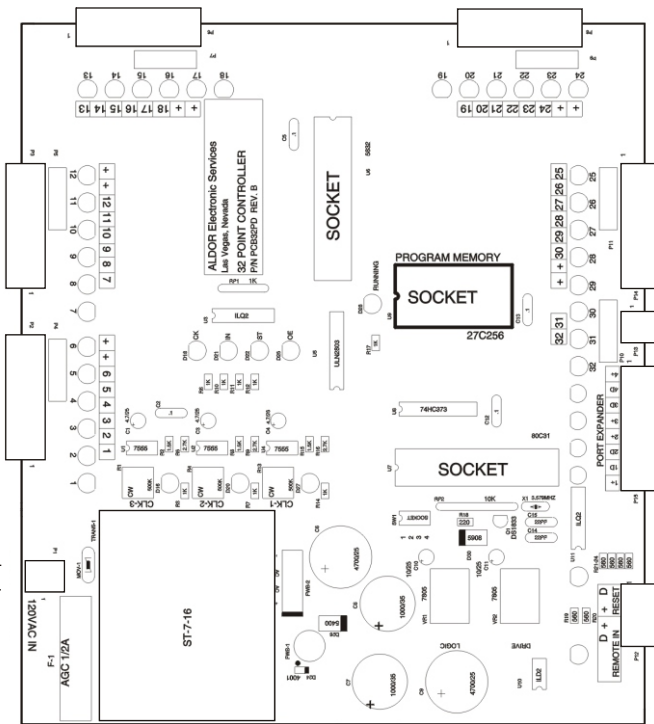
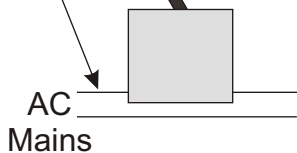
All connectors unplug from the board after wiring for easy board removal.

A (+) common wire must also be connected to the (+) of each triac board.

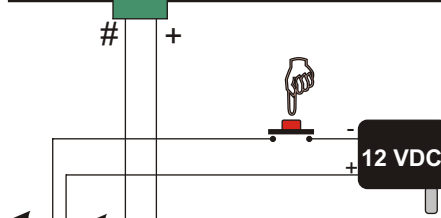
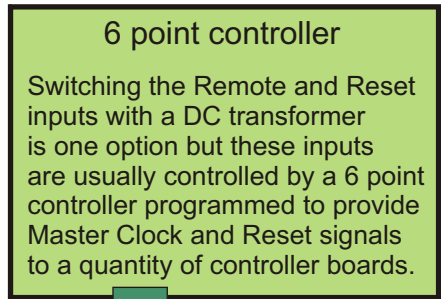
TYPICAL WIRING CONCEPT



All controller boards should be powered from a "clean" AC line through one separate circuit breaker.



ONE WIRE PER CONNECTION. JUMPER COMMONS OFF BOARD.



Add a DC wall transformer to reset the board remotely. (Or use a 9V battery!)